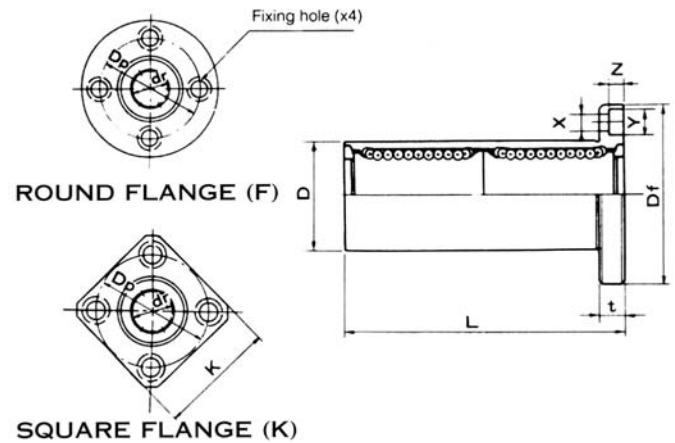
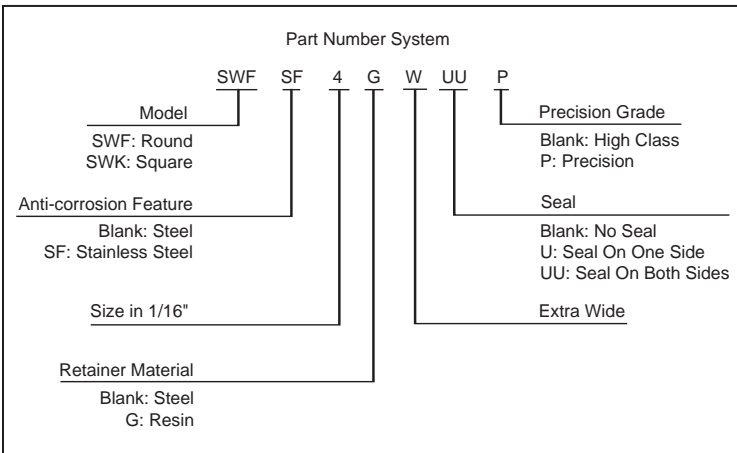
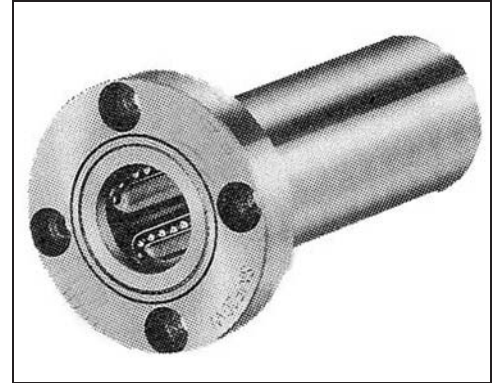


## SWFW & SWKW EXTRA WIDE SERIES ROUND & SQUARE FLANGED TYPES

This extra wide design has a greater load capacity than the standard SWF & SWK types and enable various mounting methods other than conventional pillow blocks and press fit ball bushings. They feature a compact design with excellent rigidity and high accuracy. Standard and anti-corrosion options available. Metallic retainers (for use in harsh environments and low acoustic), and low cost resin retainers also available. These bushings are fully compatible with a variety of shaft types. The raceway surface is precision ground providing low friction when compared to other linear motion mechanisms.



Unit: inch

Part No.		Size	Load Ratings		Dimensions and Tolerances					Flange						
Round (F)	Square (K)		Dynamic C (lbs.)	Static Co (lbs.)	dr	dr Tol	D	D Tol	L ± .012	Df	K	t	Dp	X	Y	Z
SWF4W	SWK4W	1/4	73	119	0.2500	0 -0.00040	0.5000	0 -0.00050	1.3750	1.2500	1.0000	0.2188	0.8750	0.1563	0.2500	0.1406
SWF6W	SWK6W	3/8	79	142	0.3750	0 -0.00040	0.6250	0 -0.00065	1.5938	1.5000	1.2500	0.2500	1.0620	0.1875	0.2969	0.1719
SWF8W	SWK8W	1/2	183	353	0.5000	0 -0.00040	0.8750	0 -0.00065	2.3750	1.7500	1.3750	0.2500	1.3125	0.1875	0.2969	0.1719
SWF10W	SWK10W	5/8	277	529	0.6250	0 -0.00040	1.1250	0 -0.00065	2.8125	2.0000	1.5000	0.2500	1.5625	0.1875	0.2969	0.1719
SWF12W	SWK12W	3/4	308	617	0.7500	0 -0.00050	1.2500	0 -0.00075	3.0937	2.1875	1.6875	0.3125	1.7188	0.2188	0.3438	0.2031
SWF16W	SWK16W	1	353	707	1.0000	0 -0.00050	1.5625	0 -0.00075	4.2813	2.5000	2.0000	0.3125	2.0313	0.2188	0.3438	0.2031
SWF20W	SWK20W	1-1/4	563	1235	1.2500	0 -0.00060	2.0000	0 -0.00090	5.0000	3.1250	2.5000	0.3750	2.5625	0.2813	0.4063	0.2656
SWF24W	SWK24W	1-1/2	772	1809	1.5000	0 -0.00060	2.3750	0 -0.00090	5.6875	3.7500	3.0000	0.5000	3.0625	0.3437	0.5000	0.3281
SWF32W	SWK32W	2	1368	3578	2.0000	0 -0.00060	3.0000	0 -0.00100	7.7500	4.3750	3.5000	0.5000	3.6875	0.3437	0.5000	0.3281