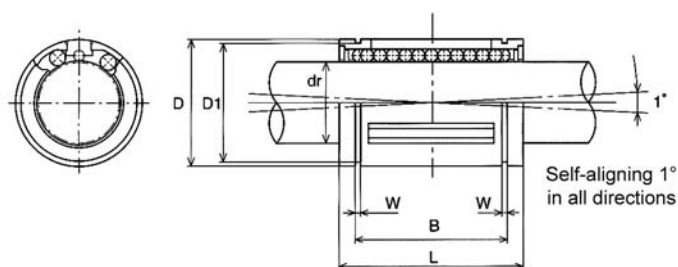
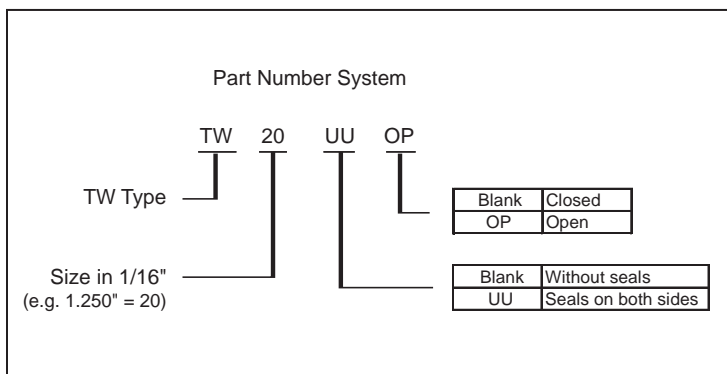


TW SERIES CLOSED SELF-ALIGNING TYPE

This closed type self-aligning bushing is considered a high performance bushing with three times the load capacity, and the capability of providing up to 27 times the normal life of a conventional ball bushing. Key features for this product include 1. Increased load capacity, 2. Longer travel life, 3. Self-aligning capability, 4. Floating integral wiper seal, 5. Clearance adjustable, and 6. Cost effective.



Unit: inch

Part No.	Size	Load Ratings		Working Diameter		Housing Bore		Length		Retaining Rings			
		Dynamic C (lbs.)	Static Co (lbs.)	dr	Tol	Nom. O.D. D	Tol. (H7)	L	Tol	Distance B	Distance Tol	Width W	Dia. D1
TW4 TW4UU	1/4	60	80	0.250	0.0000 -0.0005	0.5000	+ .0007 0	0.750	0.0000 -0.0150	0.515	0.0000 -0.0150	0.039	0.4687
TW6 TW6UU	3/8	95	120	0.375	0.0000 -0.0005	0.6250	+ .0007 0	0.875	0.0000 -0.0150	0.703	0.0000 -0.0150	0.039	0.5880
TW8 TW8UU	1/2	230	290	0.500	0.0000 -0.0005	0.8750	+ .0008 0	1.250	0.0000 -0.0200	1.032	0.0000 -0.0200	0.0459	0.8209
TW10 TW10UU	5/8	400	500	0.625	0.0000 -0.0005	1.1250	+ .0008 0	1.500	0.0000 -0.0200	1.112	0.0000 -0.0200	0.0559	1.0590
TW12 TW12UU	3/4	470	590	0.750	0.0000 -0.0005	1.2500	+ .0010 0	1.625	0.0000 -0.0200	1.272	0.0000 -0.0200	0.0559	1.1760
TW16 TW16UU	1	850	1060	1.000	0.0000 -0.0005	1.5625	+ .0010 0	2.250	0.0000 -0.0200	1.886	0.0000 -0.0200	0.0679	1.4687
TW20 TW20UU	1-1/4	1230	1530	1.250	0.0000 -0.0006	2.0000	+ .0012 0	2.625	0.0000 -0.0250	2.011	0.0000 -0.0250	0.0679	1.8859
TW24 TW24UU	1-1/2	1480	1850	1.500	0.0000 -0.0006	2.3570	+ .0012 0	3.000	0.0000 -0.0300	2.422	0.0000 -0.0300	0.0859	2.2389
TW32 TW32UU	2	2430	3040	2.000	0.0000 -0.0008	3.0000	+ .0012 0	4.000	0.0000 -0.0400	3.206	0.0000 -0.0400	0.1029	2.8379

MOTION COMPONENTS