

## MAC8-20A20H6

**Stroke:** 0.50"  
**Height:** 0.38"  
**Load Cap:** 4 lbf (X, XY)  
 1.25 lbf (Z)

Part Number System: MAC 8 - 20 A20 H6

Ball Slide Positioning Stage: MAC

Travel in 1/16" (e.g. 0.50" = 8)

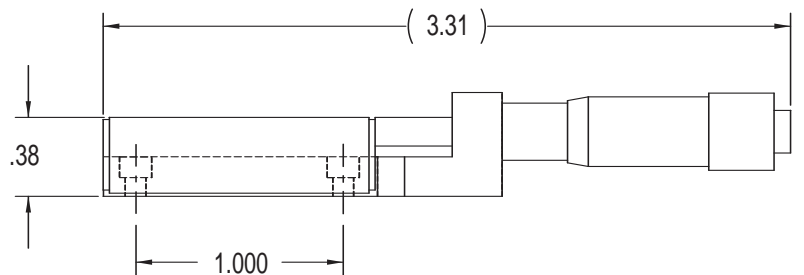
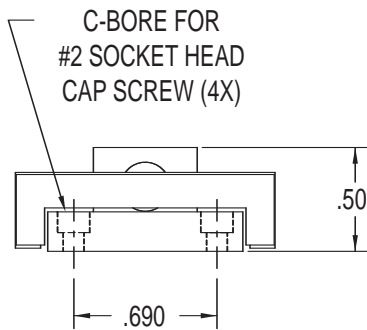
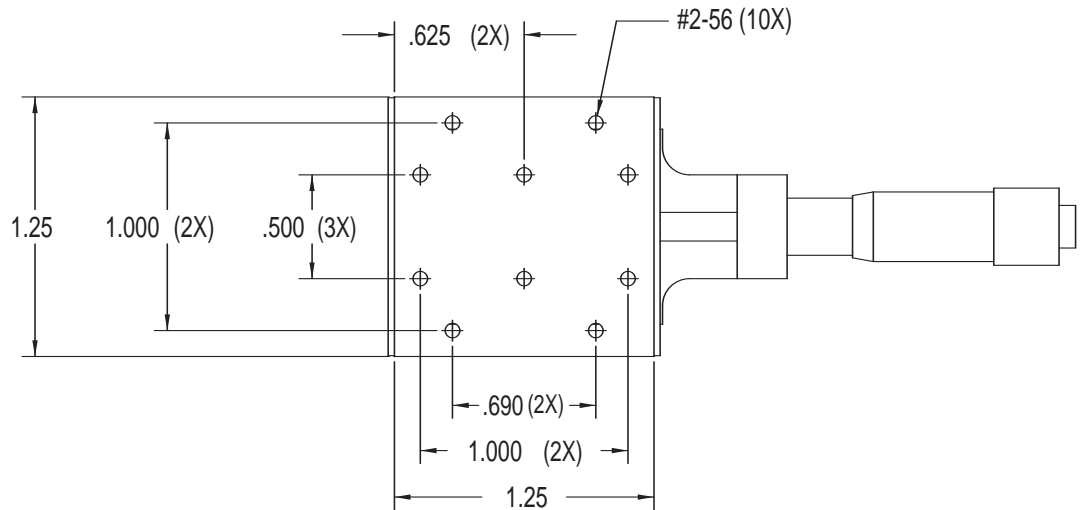
Carriage Width in 1/16" (e.g. 1.25" = 20)

Carriage Height in 1/16" (e.g. 0.38" = 6)

Carriage Length in 1/16" (e.g. 1.25" = 20)

Blank	No through hole
T	With through hole

Blank	Single Axis
XY	Double Axis
XZ	Double Axis
XYZ	Triple Axis



Tolerances: .XX ±0.01  
 .XXX ±0.005

OPTIONAL SIDE LOCK AVAILABLE. CONTACT SMI.