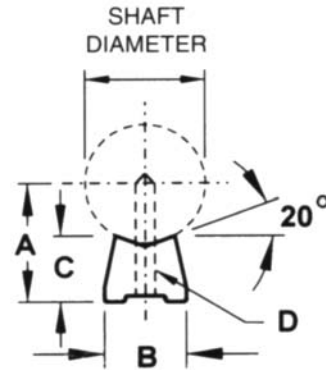
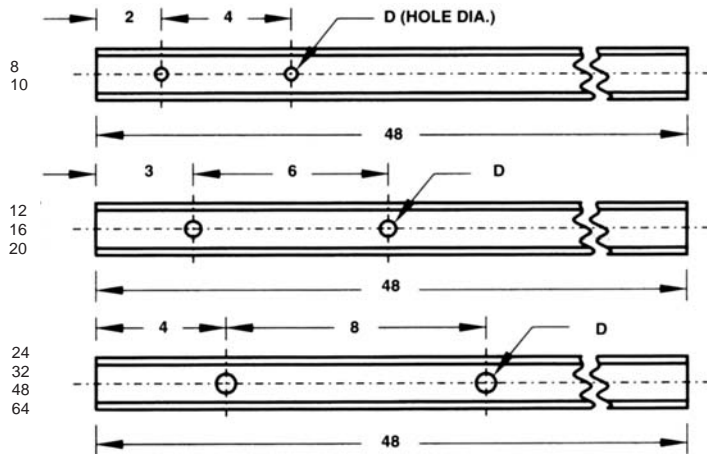
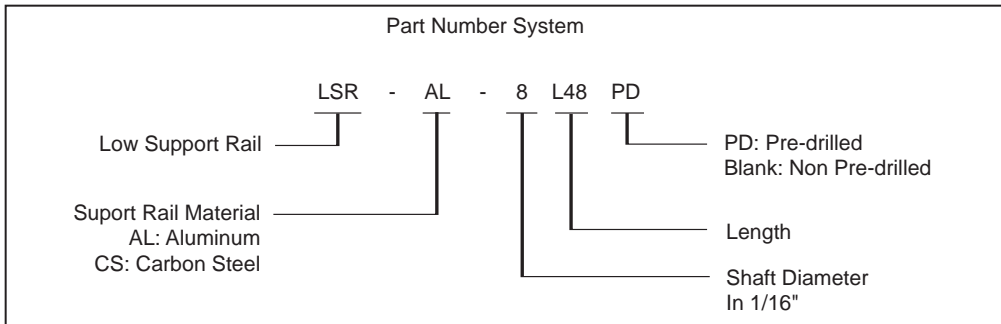


LSR SERIES

Low support rails permit the design of compact linear motion systems with more than a 40% lower profile. The low shaft support rails are made of **6061 aluminum or AISI C1018 steel**. Continuous or intermittent support is permissible when using our pillow blocks. LSR-PD have pre-drilled mounting holes to match the pre-drilled and tapped holes in our pre-drilled shafting or can be ordered without pre-drilled holes. Standard lengths for our low support rails is 48" ($\pm .125"$).

Low Support Rail Options:

- Longer length systems
- Anodized & plating (please allow necessary processing time when ordering)
- Custom hole patterns



Unit: inch

Part No.	Nominal Dia.	A (± 0.002)	B (± 0.005)	D		Weight / 48" (lbs.)
				Bolt	Hole	
LSR-8	1/2	0.562	0.370	6-32	0.169	1.32
LSR-10	5/8	0.687	0.450	8-32	0.193	1.95
LSR-12	3/4	0.750	0.510	10-32	0.221	2.25
LSR-16	1	1.000	0.690	1/4-20	0.281	4.25
LSR-20	1-1/4	1.870	0.780	5/16-18	0.343	5.08
LSR-24	1-1/2	1.375	0.930	3/8-16	0.406	6.72
LSR-32	2	1.750	1.180	1/2-13	17/32	11.00
LSR-48	3	2.750	1.875	3/4-10	0.812	27.92