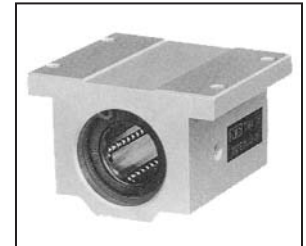
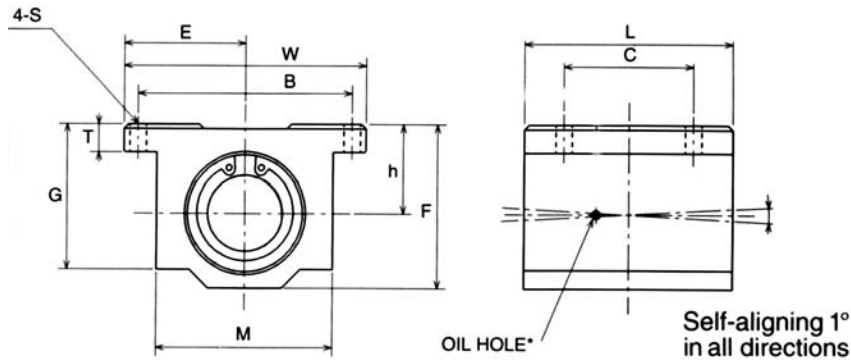


TWA & TWA-W SERIES STANDARD SINGLE & DOUBLE WIDE

TWA

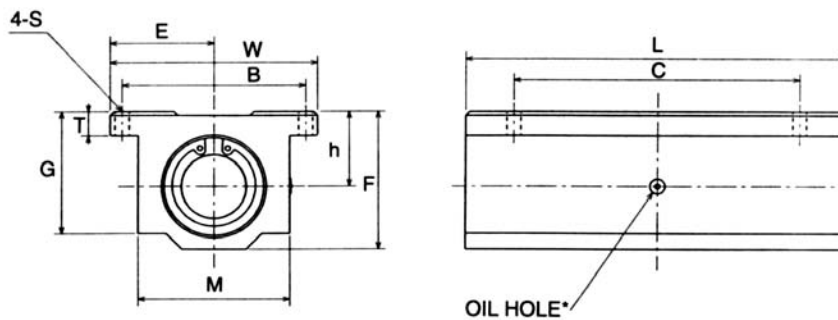


Unit: inch

Part No.	Size	Load Rating		Overall Dimensions								Mounting Dim.			Wt lbs.
		Dynamic C (lbs.)	Static Co (lbs.)	h ±0.0012	E ±0.0012	W	L	F	T	G	M	B ±0.01	C ±0.01	S	
TWA4UU	0.250	60	80	0.4370	0.8125	1.625	1.188	0.813	0.188	0.750	1.000	1.312	0.750	0.156	0.090
TWA6UU	0.375	95	120	0.5000	0.8750	1.750	1.313	0.938	0.188	0.875	1.125	1.437	0.875	0.156	0.120
TWA8UU	0.500	230	290	0.6870	1.0000	2.000	1.688	1.250	0.250	1.125	1.375	1.688	1.000	0.156	0.248
TWA10UU	0.625	400	500	0.8750	1.2500	2.500	1.938	1.625	0.281	1.437	1.750	2.125	1.125	0.188	0.466
TWA12UU	0.750	470	590	0.9370	1.3750	2.750	2.063	1.750	0.313	1.563	1.875	2.375	1.250	0.188	0.553
TWA16UU	1.000	850	1060	1.1870	1.6250	3.250	2.813	2.188	0.375	1.938	2.375	2.875	1.750	0.219	1.120
TWA20UU	1.250	1230	1530	1.5000	2.0000	4.000	3.625	2.813	0.438	2.500	3.000	3.500	2.000	0.219	2.380
TWA24UU	1.500	1480	1850	1.7500	2.3750	4.750	4.000	3.250	0.500	2.875	3.500	4.125	2.500	0.281	3.460
TWA32UU	2.000	2430	3040	2.1250	3.0000	6.000	5.000	4.063	0.625	3.625	4.500	5.200	3.250	0.406	6.830

* Provided with push-in oil fitting for 1/4" to 1/2" sizes. Sizes from 5/8" to 2" offer a 1/4-28 tapped hole with a plug for adding a fitting if desired.

TWA-W



Unit: inch

Part No.	Size	Load Rating		Overall Dimensions								Mounting Dim.			Wt lbs.
		Dynamic C (lbs.)	Static Co (lbs.)	h ±0.0012	E ±0.0012	W	L	F	T	G	M	B ±0.01	C ±0.01	S	
TWA4WUU	0.250	96	160	0.4370	0.8125	1.625	2.50	0.813	0.188	0.750	1.000	1.312	2.000	0.156	0.19
TWA6WUU	0.375	150	240	0.5000	0.8750	1.750	2.75	0.938	0.188	0.875	1.125	1.437	2.250	0.156	0.25
TWA8WUU	0.500	370	580	0.6870	1.0000	2.000	3.50	1.250	0.250	1.125	1.375	1.688	2.500	0.156	0.51
TWA10WUU	0.625	640	1000	0.8750	1.2500	2.500	4.00	1.625	0.281	1.437	1.750	2.125	3.000	0.188	1.00
TWA12WUU	0.750	750	1180	0.9370	1.3750	2.750	4.50	1.750	0.313	1.563	1.875	2.375	3.500	0.188	1.20
TWA16WUU	1.000	1360	2120	1.1870	1.6250	3.250	6.00	2.188	0.375	1.938	2.375	2.875	4.500	0.219	2.40
TWA20WUU	1.250	1970	3060	1.5000	2.0000	4.000	7.50	2.813	0.438	2.500	3.000	3.500	5.500	0.219	5.00
TWA24WUU	1.500	2370	3700	1.7500	2.3750	4.750	9.00	3.250	0.500	2.875	3.500	4.125	6.500	0.281	7.80

* Provided with push-in oil fitting for 1/4" to 1/2" sizes. Sizes from 5/8" to 2" offer a 1/4-28 tapped hole with a plug for adding a fitting if desired.

MOTION COMPONENTS