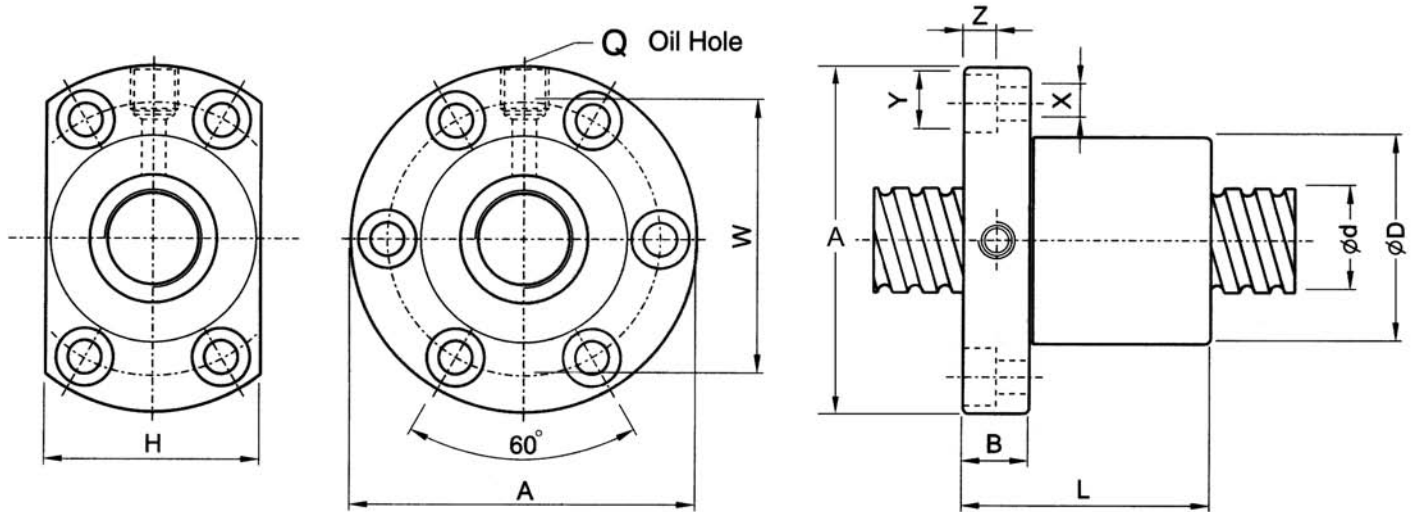


SFD & SFI SERIES



SFD

Unit: mm

Part No.	Shaft Dia.	Lead	Ball Dia.	D	A	B	L	W	H	X	Y	Z	Q	Circuits	Dynamic Load Ca (kgf)	Static Load Coa (kgf)	Stiffness (Kg / □m)
SFD1604	16	4	2.381	30	49	10	45	39	34	4.5	8	4.5	M6	4	640	1340	16
SFD2004	20	4	2.381	34	57	11	46	45	40	5.5	9.5	5.5	M6	4	670	1480	25
SFD2504	25	4	2.381	40	63	11	46	51	46	5.5	9.5	5.5	M6	4	760	1950	31
SFD2510	25	10	6.350	46	72	12	85	58	52	6.5	11	6.5	M6	4	2350	6690	45
SFD3204	32	4	2.381	46	72	12	47	58	52	6.5	11	6.5	M6	4	860	3050	40

SFI

Unit: mm

Part No.	Shaft Dia.	Lead	Ball Dia.	D	A	B	L	W	H	X	Y	Z	Q	Circuits	Dynamic Load Ca (kgf)	Static Load Coa (kgf)	Stiffness (Kg / □m)
SFI1605-4	16	5	3.175	30	49	10	50	39	34	4.5	8	4.5	M6	4	780	1790	20
SFI1610-3 *	16	10	3.175	34	58	10	57	45	34	5.5	9.5	5.5	M6	3	833	1249	15
SFI2005-4 *	20	5	3.175	34	57	11	51	45	40	5.5	9.5	5.5	M6	4	1130	2380	25
SFI2005T *	20	5.08	3.175	34	57	11	51	45	40	5.5	9.5	5.5	M6	4	1130	2380	25
SFI2505-4 *	25	5	3.175	40	63	11	51	51	46	5.5	9.5	5.5	M8	4	1280	3110	35
SFI3205-4 *	32	5	3.175	46	72	12	52	58	52	6.5	11	6.5	M8	4	1450	4150	40
SFI3210-4 *	32	10	6.35	54	88	15	90	70	62	9	14	8.5	M8	4	3390	7170	40
SFI4005-4 *	40	5	3.175	56	90	15	55	72	64	9	14	8.5	M8	4	1610	5330	49
SFI4010-4	40	10	6.35	62	104	18	93	82	70	11	17.5	11	M8	4	3910	9520	50
SFI5010-4	50	10	6.35	72	114	18	93	92	82	11	17.5	11	M8	4	4450	12500	65
SFI6310-4 *	63	10	6.35	85	131	22	98	107	95	14	20	13	M8	4	5070	16600	80
SFI8010-4 *	80	10	6.35	105	150	22	98	127	115	14	20	13	M8	4	5620	21300	90

* Left-hand threads available

Refer to size chart for available rolled sizes

MOTION COMPONENTS