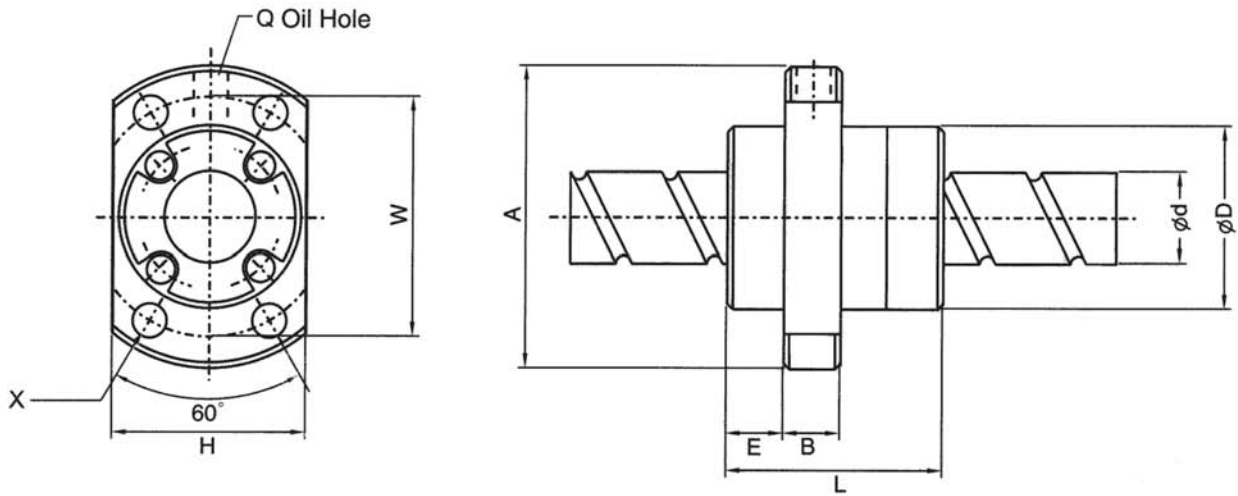


## SFE SERIES



Unit: mm

Part No.	Shaft Dia.	Lead	Ball Dia.	D	A	E	B	L	X	W	H	Q	Turns x Circuits	Dynamic Load Ca (kgf)	Static Load Coa (kgf)	Stiffness (Kg / □m)
SFE1616-3	16	16	2.778	32	53	15	10	38	4.5	42	34	M6	1.7x2	650	1280	19
SFE1616-6			2.778	32	53	15	10	38	4.5	42	34	M6	1.7x4	1180	2550	36
SFE1632-3		32	3.175	34	55	10.5	10	34	5.5	45	36	M6	0.7x2	410	680	21
SFE1632-6			3.175	34	55	10.5	10	34	5.5	45	36	M6	0.7x4	820	1360	41
SFE2020-3	20	20	3.175	39	62	11.5	10	47	5.5	50	41	M6	1.7x2	980	2140	25
SFE2020-6			3.175	39	62	11.5	10	47	5.5	50	41	M6	1.7x4	1780	4280	49
SFE2040-3		40	3.175	38	58	11	10	41	5.5	48	40	M6	0.7x2	455	880	25
SFE2040-6			3.175	38	58	11	10	41	5.5	48	40	M6	0.7x4	910	1760	49
SFE2525-3	25	25	3.969	47	74	13	12	57	6.6	60	49	M6	1.7x2	1470	3350	31
SFE2525-6			3.969	47	74	13	12	57	6.6	60	49	M6	1.7x4	2660	6690	60
SFE2550-3		50	3.969	46	70	13	12	50	6.6	58	48	M6	0.7x2	685	1380	31
SFE2550-6			3.969	46	70	13	12	50	6.6	58	48	M6	0.7x4	1370	2760	60
SFE3232-3	32	32	4.762	58	92	16	12	71	9	74	60	M6	1.7x2	2140	5260	40
SFE3232-6			4.762	58	92	16	12	71	9	74	60	M6	1.7x4	3890	10500	76
SFE3264-3		64	4.762	58	92	15.5	12	62	9	74	60	M6	0.7x2	1000	2130	40
SFE3264-6			4.762	58	92	15.5	12	62	9	74	60	M6	0.7x4	2000	4260	77
SFE4040-3	40	40	6.350	73	114	19	15	89	11	93	75	M6	1.7x2	3410	8820	49
SFE4040-6			6.350	73	114	19	15	89	11	93	75	M6	1.7x4	6200	17600	95
SFE5050-3	50	50	7.938	90	135	21.5	20	107	14	112	92	M6	1.7x2	5100	13800	60
SFE5050-6			7.938	90	135	21.5	20	107	14	112	92	M6	1.7x4	7260	27600	117

Note: "-3" refers to 2 starts, "-6" refers to 4 starts.

Refer to size chart for available rolled sizes