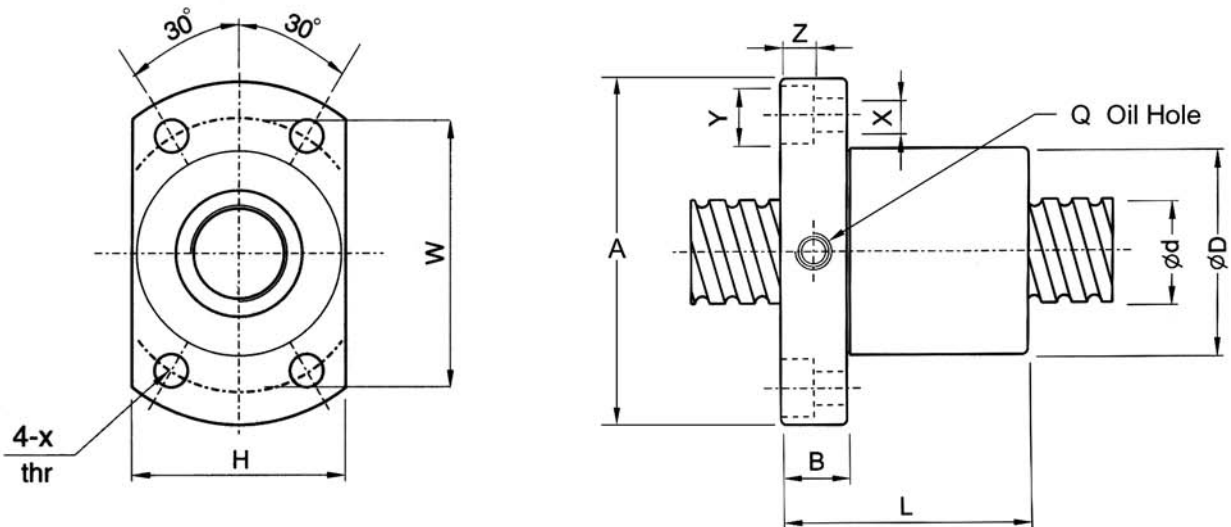


SFK SERIES



Unit: mm

Part No.	Shaft Dia.	Lead	Ball Dia.	D	A	B	L	W	H	X	Y	Z	Q	Circuits	Dynamic Load Ca (kgf)	Static Load Coa (kgf)
SFK0401 *	4	1	0.8	10	20	3	12	15	14	2.9	-	-	-	2	42	51
SFK0601 *	6	1	0.8	12	24	3.5	15	18	16	3.4	-	-	-	3	73	121
SFK0801 *	8	1	0.8	14	27	4	16	21	18	3.4	-	-	-	4	93	173
SFK0802 *	8	2	1.2	14	27	4	16	21	18	3.4	-	-	-	3	135	225
SFK082.5 *	8	2.5	1.2	16	29	4	26	23	20	3.4	-	-	-	3	177	278
SFK1002 *	10	2	1.2	18	35	5	28	27	22	4.5	-	-	-	3	185	305
SFK1004 *	10	4	2.0	26	46	10	34	36	28	4.5	-	-	-	3	395	590
SFK1202 *	12	2	1.2	20	37	5	28	29	24	4.5	-	-	-	4	173	317
SFK1204 *	12	4	2.5	24	40	6	28	32	25	3.5	6	3.5	-	3	454	722
SFK1205 *	12	5	2.5	22	37	8	39	29	24	4.5	-	-	-	3	619	883
SFK1402 *	14	2	1.2	21	40	6	23	31	26	5.5	-	-	-	4	287	633
SFK1602	16	2	1.2	25	43	10	40	35	29	5.5	-	-	-	4	253	670
SFK1604 *	16	4	2.381	30	49	10	45	39	34	4.5	8	4.5	M6	4	640	1340
SFK2002	20	2	1.2	50	80	15	55	65	68	6.5	10.5	6	M6	6	397	1269
SFK2004	20	4	2.381	34	57	11	46	45	40	5.5	9.5	5.5	M6	4	670	1480
SFK2502	25	2	1.2	50	80	13	43	65	68	6.5	10.5	6	M6	5	375	1331
SFK2503	25	3	2.381	40	63	11	51	51	48	5.5	9.5	5.5	M6	6	1100	3076
SFK2504 *	25	4	2.381	40	63	11	46	51	46	5.5	9.5	5.5	M6	4	760	1950
SFK2510 *	25	10	6.35	46	72	12	85	58	52	6.5	11	6.5	M6	4	2350	6690
SFK3204	32	4	2.381	46	72	12	47	58	52	6.5	11	6.5	M6	4	860	3050

* Left-hand threads available

Refer to size chart for available rolled sizes